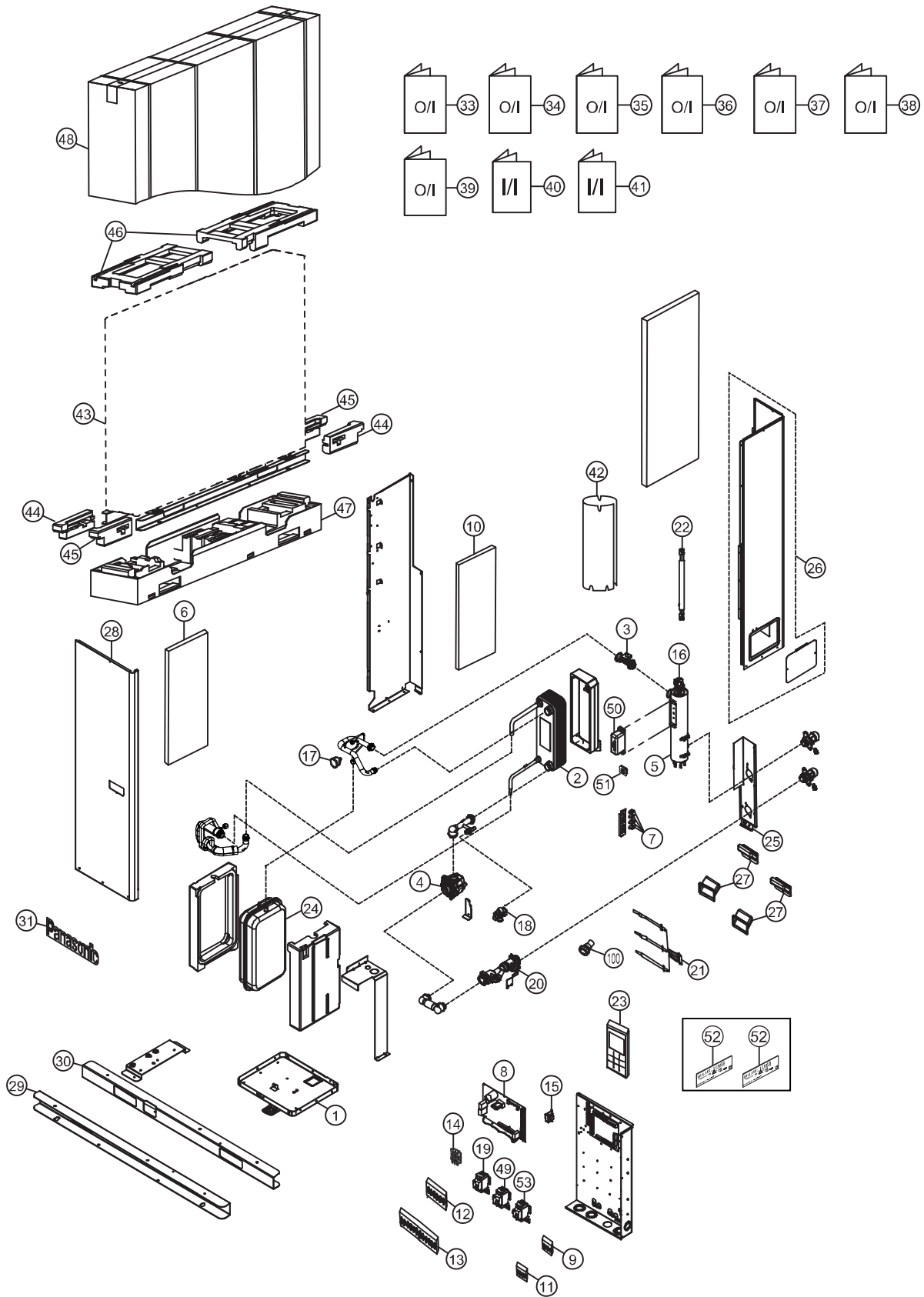


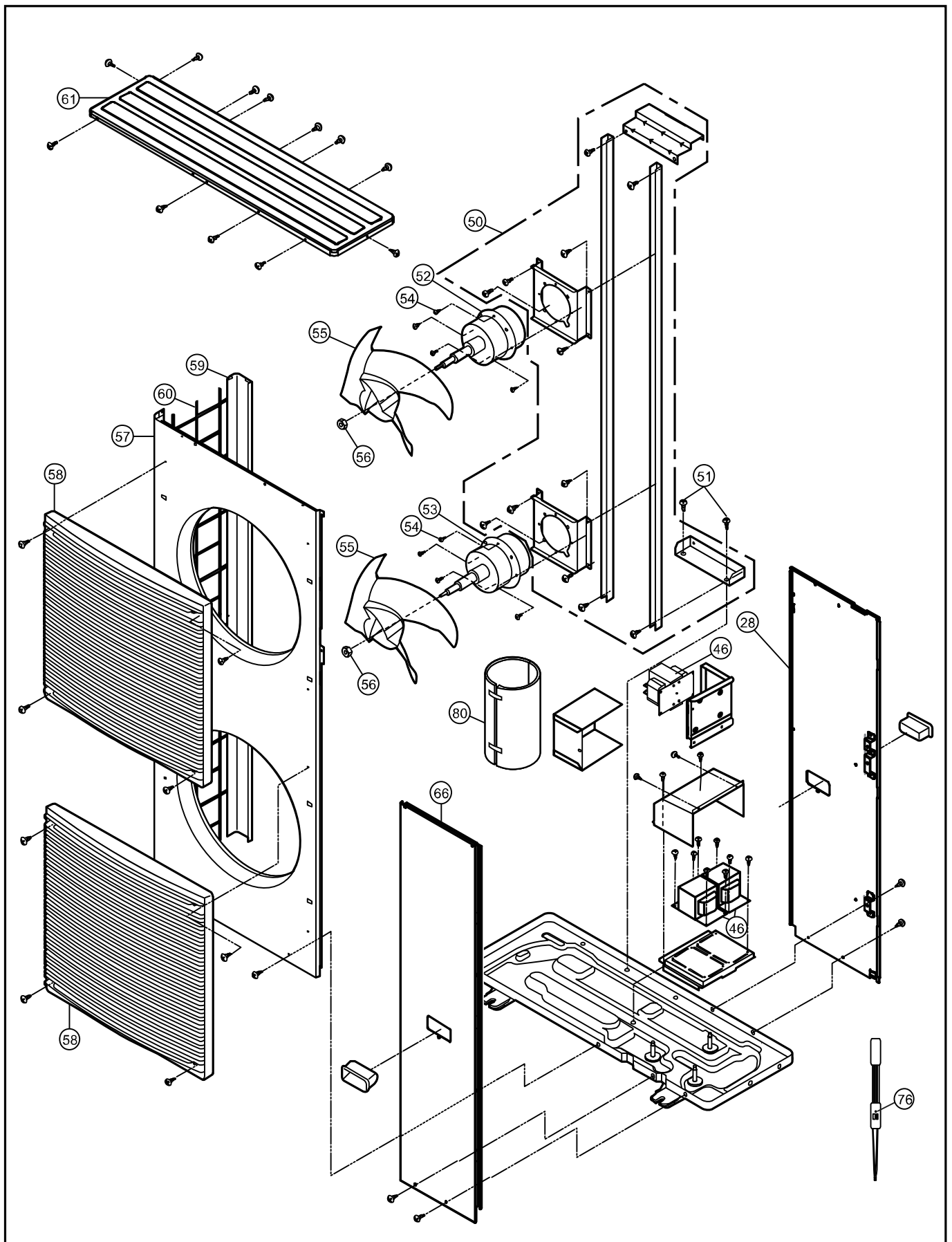
20. Exploded View and Replacement Parts List

20.1 Water System

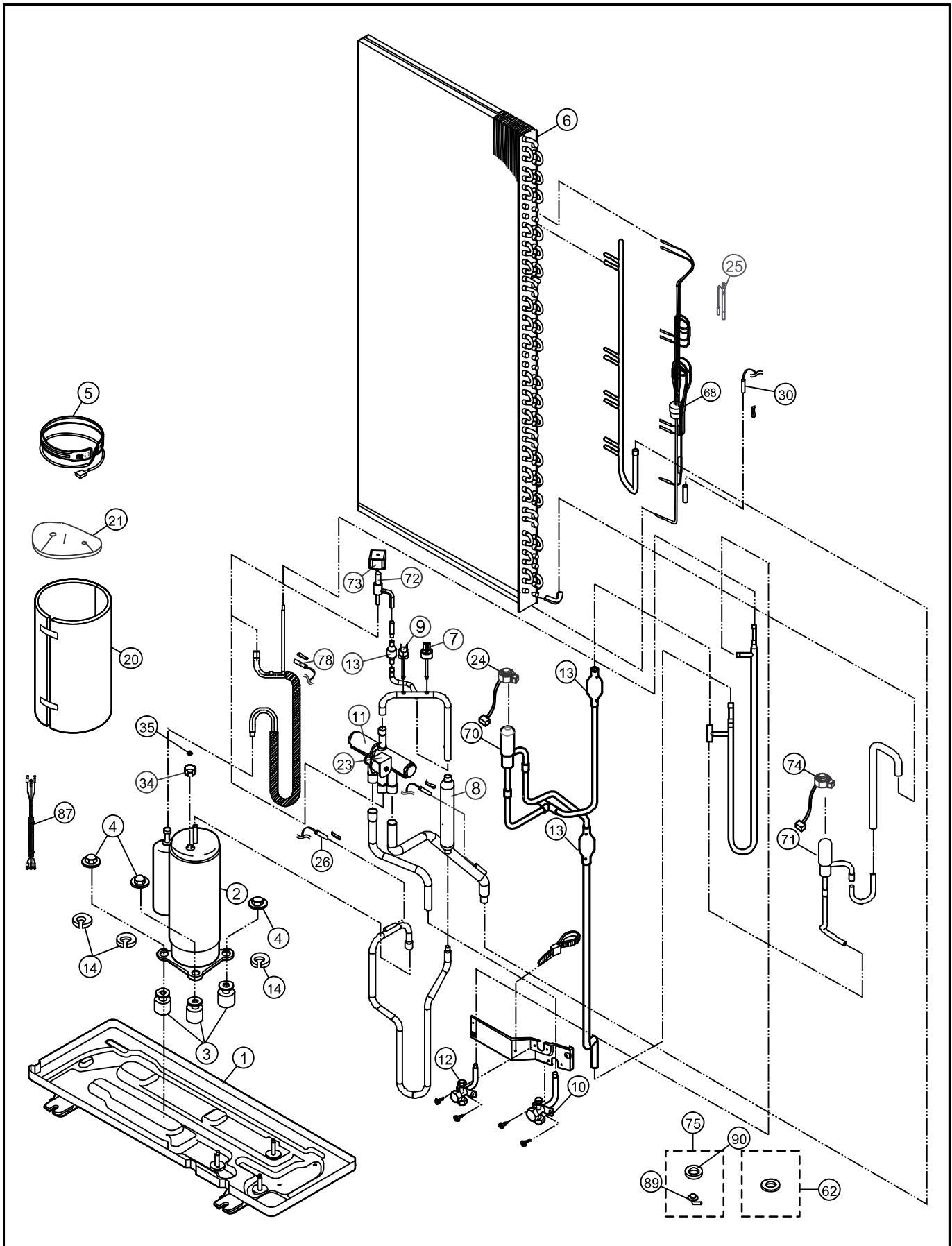


Note:
 The above exploded view is for the purpose of parts disassembly and replacement.
 The non-numbered parts are not kept as standard service parts.

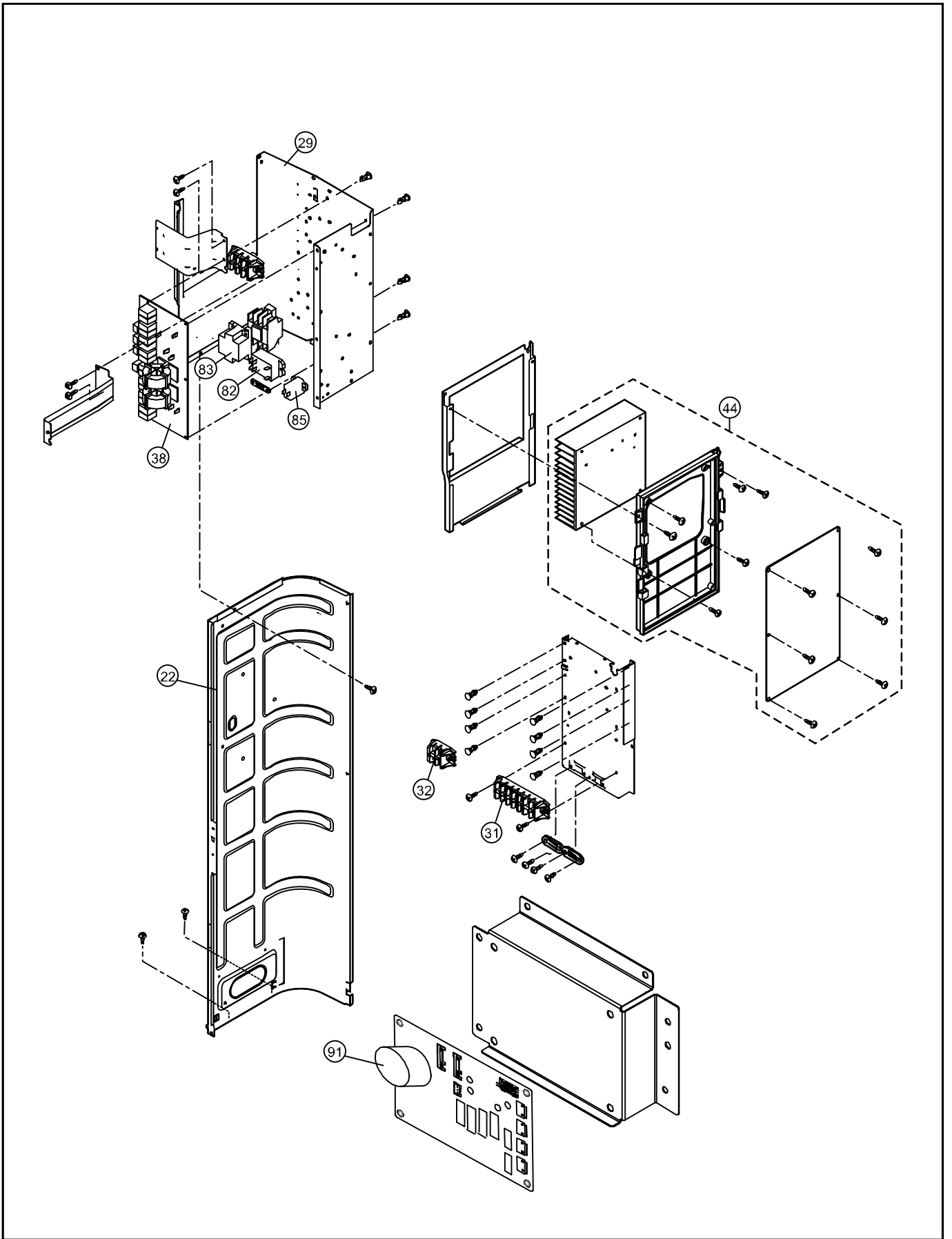
20.2 Refrigerant System



Note:
The above exploded view is for the purpose of parts disassembly and replacement.
The non-numbered parts are not kept as standard service parts.





Note:
 The above exploded view is for the purpose of parts disassembly and replacement.
 The non-numbered parts are not kept as standard service parts.



Note:
The above exploded view is for the purpose of parts disassembly and replacement.
The non-numbered parts are not kept as standard service parts.

<Water System>

SAFETY	REF. NO.	PART NAME & DESCRIPTION	QTY.	WH-MXC16J9E8	REMARK
	1	BASE PAN ASS'Y	1	ACXD52K02760	
⚠	2	HOT WATER COIL - COMPLETE	1	ACXB90C01510	
⚠	3	FLOW SWITCH	1	ACXB62-00931	
⚠	4	PUMP	1	ACXB53-00390	
⚠	5	HEATER ASS'Y	1	ACXA34K00390	
	6	SOUND PROOF MATERIAL	1	CWG302594	
	7	THERMOSTAT	4	CWA151074	
⚠	8	ELECTRONIC CONTROLLER (MAIN)	1	ACXA73C7871R	
⚠	9	TERMINAL BOARD ASS'Y (A,B)	1	CWA28K1340	
	10	SOUND PROOF MATERIAL	1	CWG302599	
⚠	11	TERMINAL BOARD ASS'Y (1,2,3,4,5,6)	1	CWA28K1341	
⚠	12	TERMINAL BOARD ASS'Y (7,8,9,10,11,12)	1	CWA28K1340	
⚠	13	TERMINAL BOARD ASS'Y (13,14,15,16,17,18)	1	CWA28K1343	
⚠	14	TERMINAL BOARD ASS'Y (A) / (A,B)	1	CWA28K1238	
⚠	15	REACTOR	1	G0C103Z00003	
	16	AIR PURGE VALVE	1	ACXB62-00130	
	17	PRESSURE GAUGE	1	CWB070003	
	18	PRESSURE RELIEF VALVE	1	ACXB62-00740	
	20	FILTER COMPLETE	1	ACXB51C00100	
⚠	21	SENSOR - COMPLETE (WATER IN, OUT, REF TEMP)	1	ACXA50C16670	
⚠	22	SENSOR - COMPLETE (HEX WATER OUTLET)	1	ACXA50C13140	
⚠	23	REMOTE CONTROL COMPLETE	1	ACXA75C15751	
	24	RECEIVER	1	CWB141039	
	25	HOLDER COUPLING	1	ACXH35-01510A	
	26	CABINET SIDE PLATE	1	ACXE04-12210A	
	27	HANDLE	4	ACXE16-00100	
	28	CABINET FRONT PLATE	1	ACXE06-03550A	
	29	CONNECTING BAR	1	CWE261313A	
	30	CONNECTING BAR	1	CWE261214A	
	31	PANASONIC BADGE	1	CWE373439	
	33	OPERATING INSTRUCTION	1	ACXF55-30920	
	34	OPERATING INSTRUCTION	1	ACXF55-30930	
	35	OPERATING INSTRUCTION	1	ACXF55-30940	
	36	OPERATING INSTRUCTION	1	ACXF55-30950	
	37	OPERATING INSTRUCTION	1	ACXF55-30960	
	38	OPERATING INSTRUCTION	1	ACXF55-30970	
	39	OPERATING INSTRUCTION	1	ACXF55-30980	
	40	INSTALLATION INSTRUCTION	1	ACXF60-43800	
	41	INSTALLATION INSTRUCTION	1	ACXF60-41781	

SAFETY	REF. NO.	PART NAME & DESCRIPTION	QTY.	WH-MXC16J9E8	REMARK
	42	SOUND PROOF MATERIAL	1	ACXG30-07663	
	43	BAG	1	CWG861452	
	44	SHOCK ABSORBER	2	CWG713660	
	45	SHOCK ABSORBER	2	CWG713661	
	46	SHOCK ABSORBER	2	CWG713662	
	47	BASE BOARD - COMPLETE	1	ACXG62C02080	
	48	C.C. CASE	1	ACXG50-57120	
	49	CIRCUIT BREAKER	1	CWA181008	
	50	TERMINAL COVER	1	CWH171051	
	51	GASKET FOR TERMINAL COVER	1	CWB811177	
	52	MODEL LABEL	2	ACXF85-73300	
	53	CIRCUIT BREAKER	1	ACXA18-00020	

Note:

- All parts are supplied from PAPAMY, Malaysia (Vendor Code: 00029488).
- "O" marked parts are recommended to be kept in stock.

<Refrigerant System>

SAFETY	REF. NO.	PART NAME & DESCRIPTION	QTY.	WH-MXC16J9E8	REMARK
	1	BASE PAN ASS'Y	1	CWD52K1276	
⚠	2	COMPRESSOR	1	9JD650XAA22	
	3	BUSHING - COMPRESSOR MOUNT	3	CWH50055	
	4	NUT - COMPRESSOR MOUNT	3	CWH561049	
⚠	5	CRANKCASE HEATER	1	ACXA34-00110	
	6	CONDENSER COMPLETE	1	ACXB32C25170	
	7	HIGH PRESSURE SENSOR	1	ACXA50-05990	
	8	DISCHARGE MUFFLER	1	ACXB12-01450	
	9	HIGH PRESSURE SWITCH	1	ACXA10-00650	
	10	3-WAYS VALVE (GAS)	1	CWB011699	
	11	4-WAYS VALVE	1	CWB001046	
	12	3-WAYS VALVE (LIQUID)	1	CWB011700	
	13	STRAINER	3	CWB111032	
	14	GASKET FOR TERMINAL COVER	3	CWB811017	
	20	SOUND PROOF MATERIAL	1	ACXG30-11370	
	21	SOUND PROOF MATERIAL	1	ACXG30-11380	
	22	SOUND PROOF BOARD	1	CWH151243	
⚠	23	V-COIL COMPLETE (4 WAY VALVE)	1	CWA43C2169J	
⚠	24	V-COIL COMPLETE (MAIN EXPANSION VALVE)	1	ACXA43C06900	
⚠	25	SENSOR - COMP. (OUTDOOR AIR, PIPE TEMP)	1	ACXA50C16850	
⚠	26	SENSOR - COMP. (DISCHARGE TEMP)	1	CWA50C2576	
	28	CABINET REAR PLATE - COMPLETE	1	ACXE02-02020A	
	29	CONTROL BOARD CASING ASSY	1	CWH10K1228	
⚠	30	SENSOR - COMP. (DEFROST TEMP)	1	CWA50C2577	
	31	TERMINAL BOARD ASS'Y (1,2,3,4,5)	1	CWA28K1240	
	32	TERMINAL BOARD ASS'Y (L,N)	1	CWA28K1335	
⚠	38	ELECTRONIC CO. (NOISE FILTER)	1	ACXA73-36070	
⚠	44	ELECTRONIC CONTROLLER (MAIN)	1	ACXA73C7874R	
⚠	46	REACTOR	3	G0C392J00040	
	50	FAN MOTOR BRACKET ASSY	1	ACXD54K02380	
	51	SCREW - FAN MOTOR BRACKET	2	CWH551040J	
⚠	52	FAN MOTOR (UPPER)	1	L6CBYYL0362	
⚠	53	FAN MOTOR (LOWER)	1	L6CBYYL0363	
	54	SCREW - FAN MOTOR MOUNT	8	CWH551323	
	55	PROPELLER FAN ASSY	2	CWH00K1006	
	56	NUT	2	CWH561092	
	57	CABINET FRONT PLATE	1	CWE061098A	
	58	DISCHARGE GRILLE	2	CWE201154	
	59	CABINET SIDE PLATE ASSY	1	CWE04K1023A	

SAFETY	REF. NO.	PART NAME & DESCRIPTION	QTY.	WH-MXC16J9E8	REMARK
	60	WIRE NET	1	CWD041069	
	61	CABINET TOP PLATE	1	ACXE03C00880	
	62	ACCESSORY CO. (RUBBER CAP)	1	CWH82C1839	
	66	CABINET FRONT PLATE	1	CWE061274A	
	68	TUBE ASSY (CAP.TUBE)	1	ACXT07K09171	
	70	EXPANSION VALVE (1)	1	CWB051091	
	71	EXPANSION VALVE (2)	1	CWB051029	
	72	2-WAYS VALVE (LIQUID)	1	CWB021637	
	73	V-COIL COMPLETE (2-WAY VALVE)	1	CWA43C2607	
	74	V-COIL COMPLETE (BYPASS EXPANSION VALVE)	1	CWA43C2335	
	75	ACCESSORY CO. (DRAIN ELBOW)	1	CWG87C900	
	76	HEATER	1	CWA341071	
	78	HIGH PRESSURE SENSOR	1	CWA50C3165	
	80	SOUND PROOF MATERIAL	1	CWG302598	
	82	ELECTRO MAGNETIC SWITCH	1	K6C2AGA00002	
	83	ELECTRO MAGNETIC SWITCH	1	K6C4E8A00001	
	85	PTC THERMISTORS	1	D4DDG1010001	
	87	LEADWIRE COMPRESSOR	1	ACXA60C62280	
	89	FLEXIBLE PIPE (L-TUBE)	1	CWH5850080	
	90	PACKING - L.TUBE	1	CWB81012	
	91	ELECTRONIC CONTROLLER - SUB	1	ACXA73-36370	

Note:

- All parts are supplied from PAPAMY, Malaysia (Vendor Code: 00029488).
- "O" marked parts are recommended to be kept in stock.